



Pali Design, Inc.

1525 Hymus Boul.
Dorval, QC
H9P-1J5 Canada
Phone: 1-514-421-0309

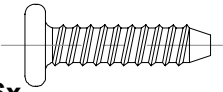
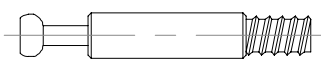
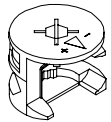
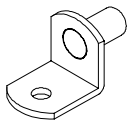
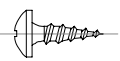

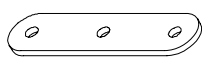

customerservice@pali-design.com

www.pali-design.com

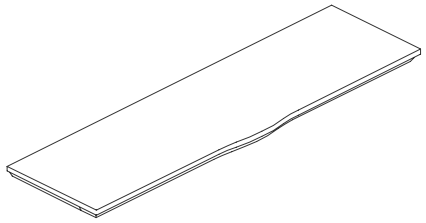
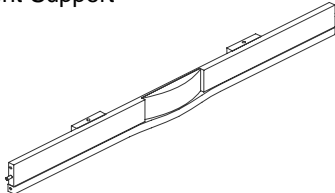
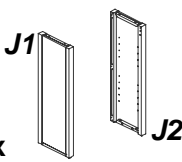
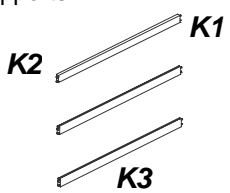
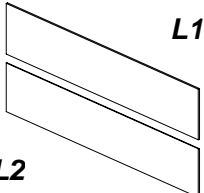
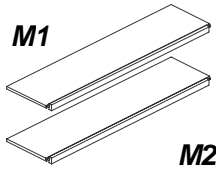
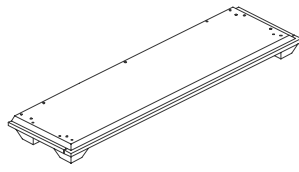
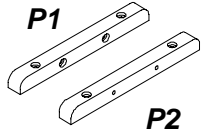
Assembly Instructions

Onda Bookcase Hutch

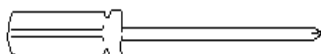
Hardware List

A KD Bolt  16x	B Cam Lock Bolt  13x	C Cam Lock  13x	D Shelf Pin  8x
E Panhead Screw  8x	F Allen Wrench  1x	Q Metal Plate  2x	R Panhead Screw  6x

Bookcase Hutch Parts List

G Top  1x	H Upper Front Support  1x	
J Side Panels  2x	K Back Supports  3x	L Back Panels  2x
M Shelves  2x	N Base  1x	P Connection Block  2x

Tools Needed for

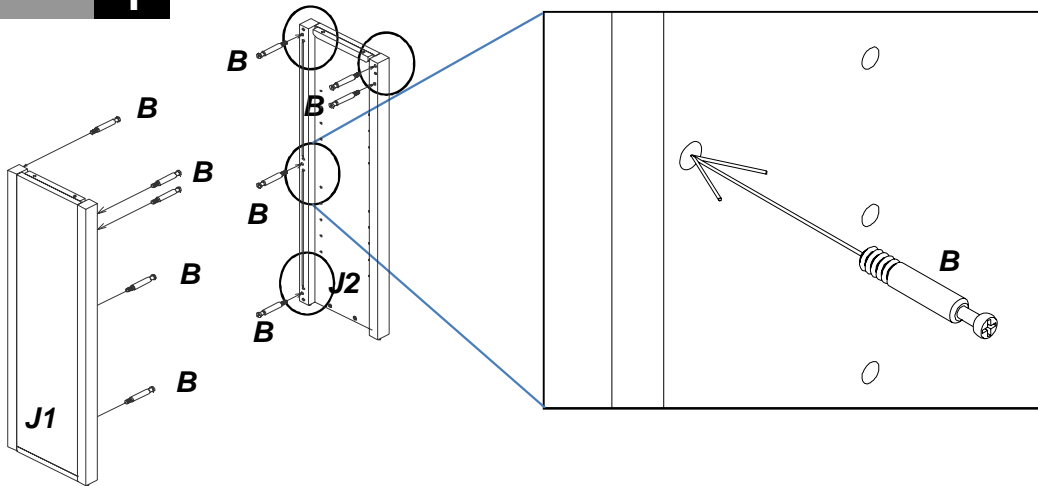


INSTRUCTION LEAFLET

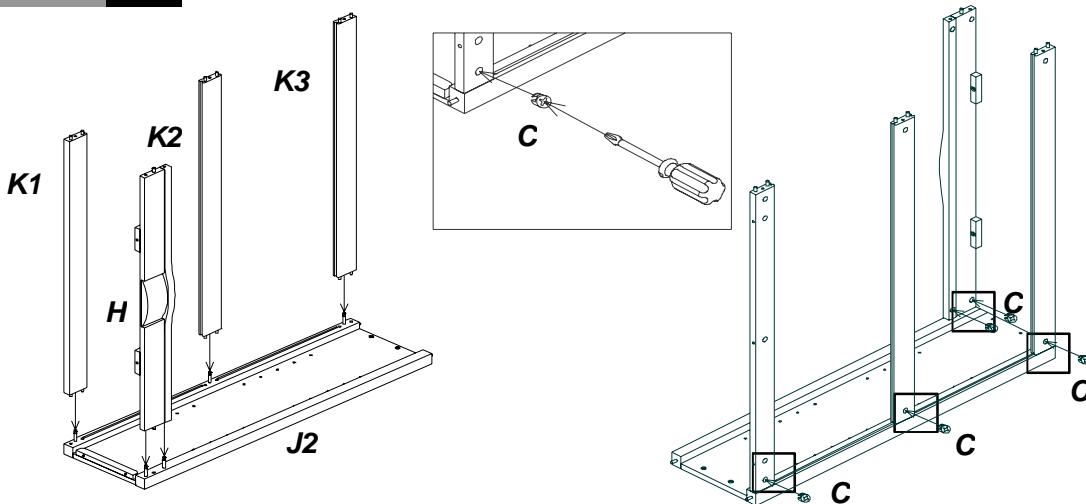
Important, keep for future reference. Read carefully.

Adult assembly is required.

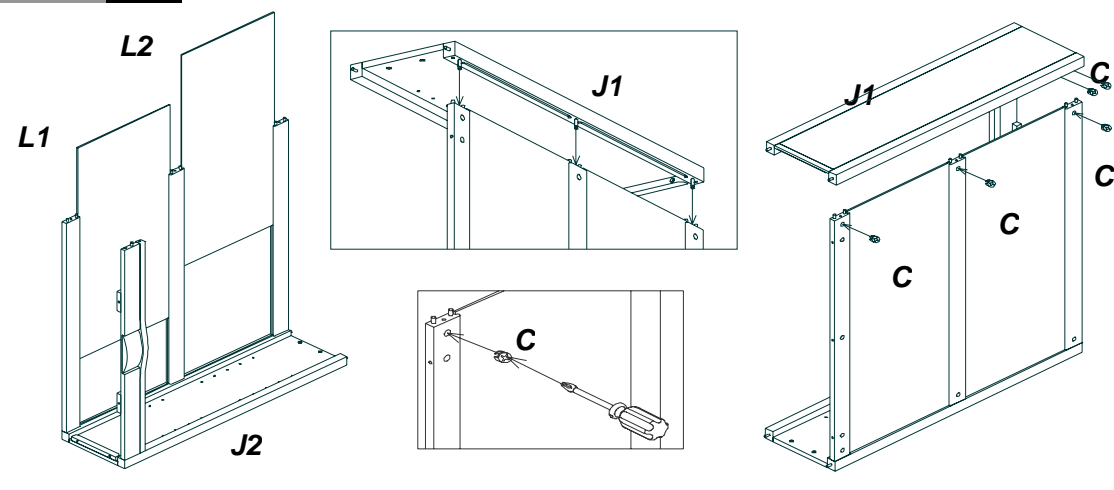
Hutch Step 1 **Prepare Side Panels**



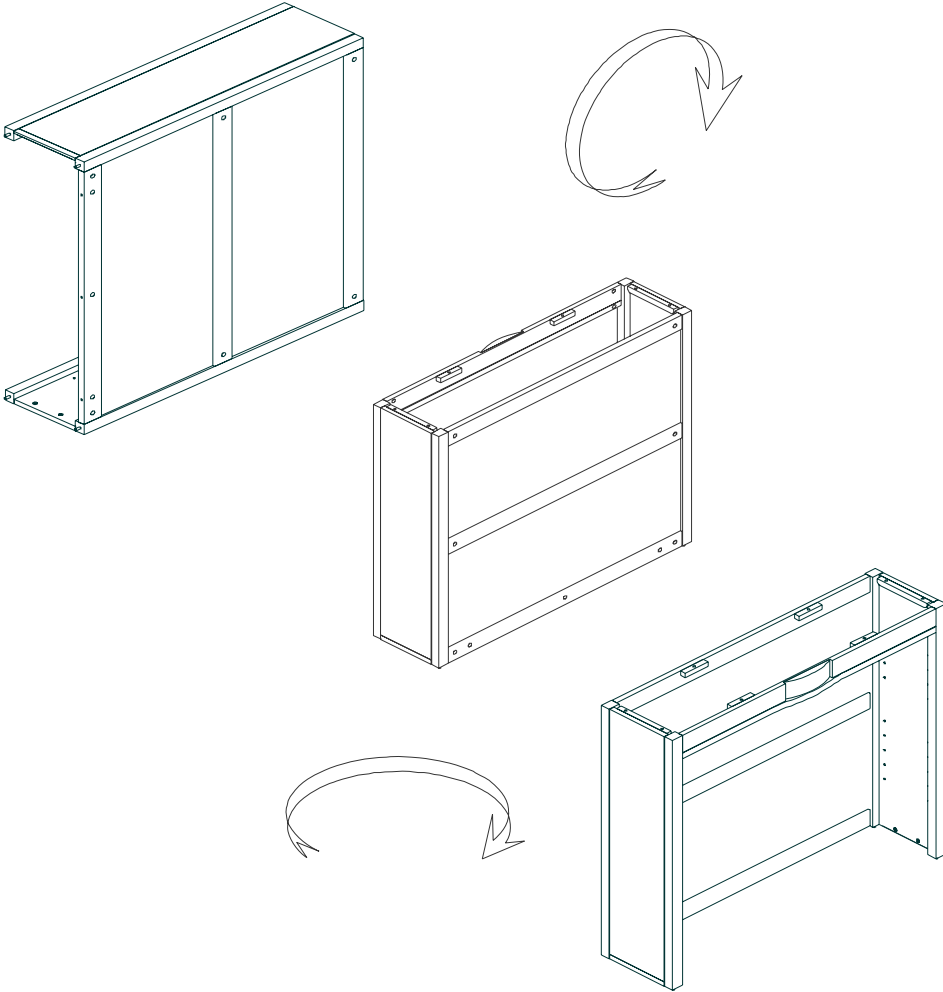
Hutch Step 2 **Attach Back and Upper Front Supports**



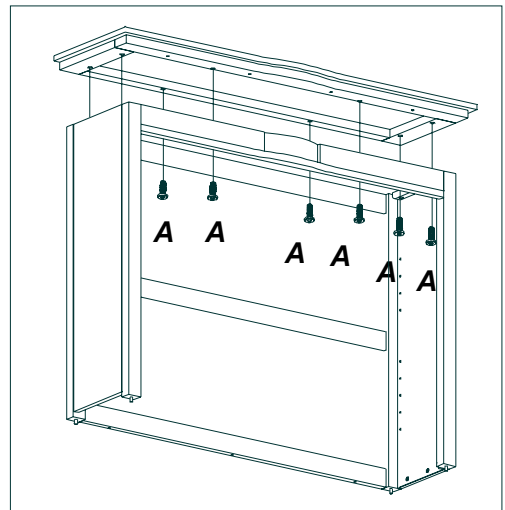
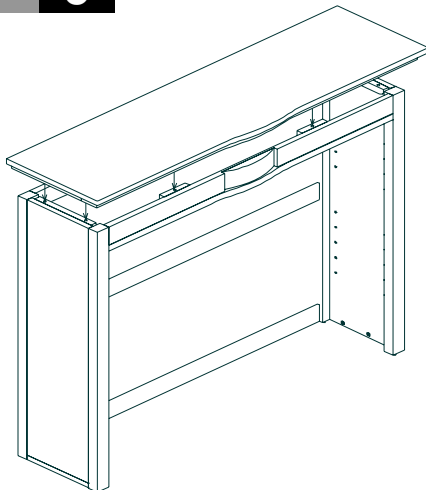
Hutch Step 3 **Insert Back Panels and Attach Other Side Panel**



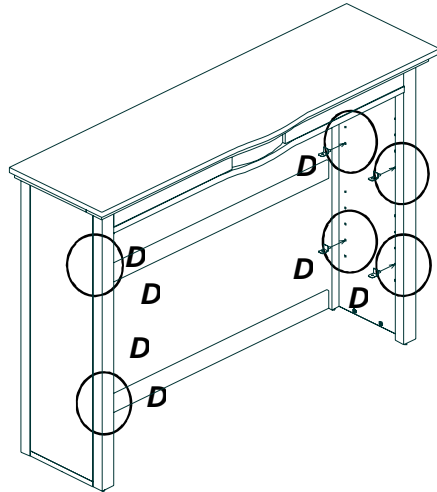
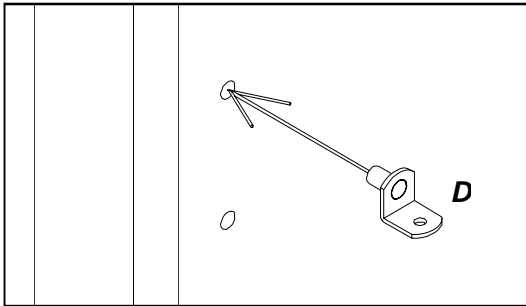
Note: Return the Hutch to the upright position facing forward.



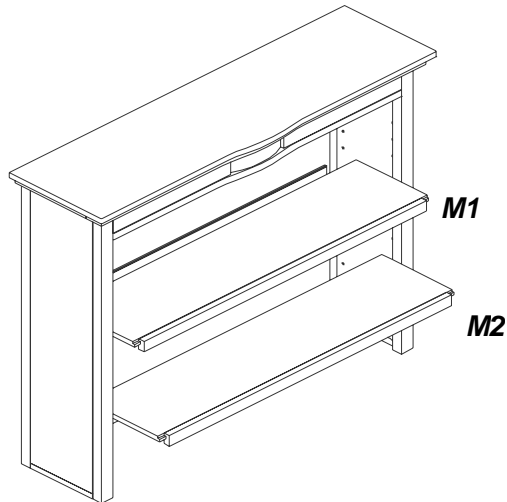
Hutch **Step 5** **Attach Top**



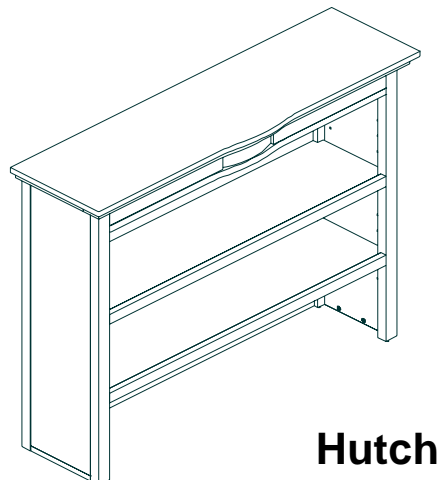
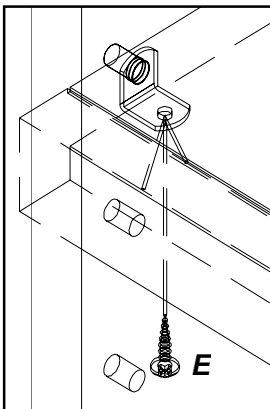
Hutch ^{Step} **6** **Insert Shelf Pins**



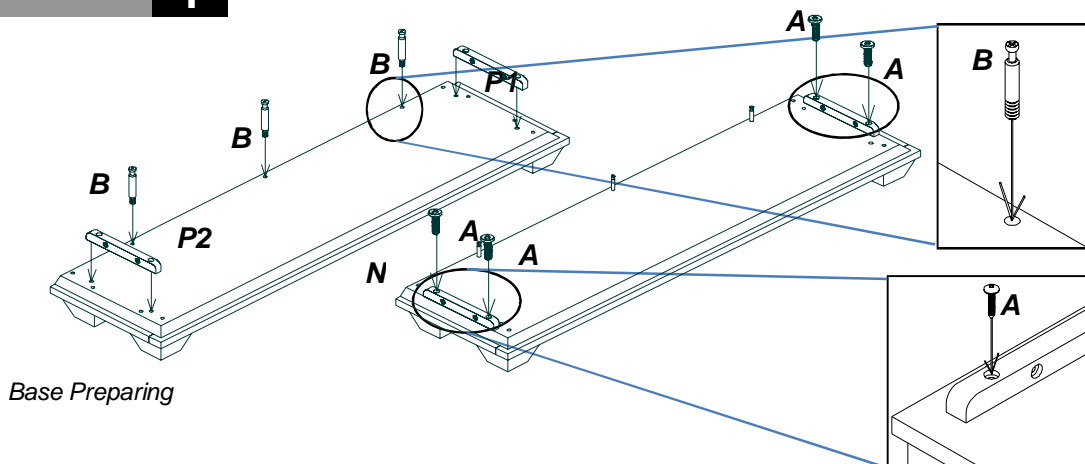
Hutch ^{Step} **7** **Attach Shelves**



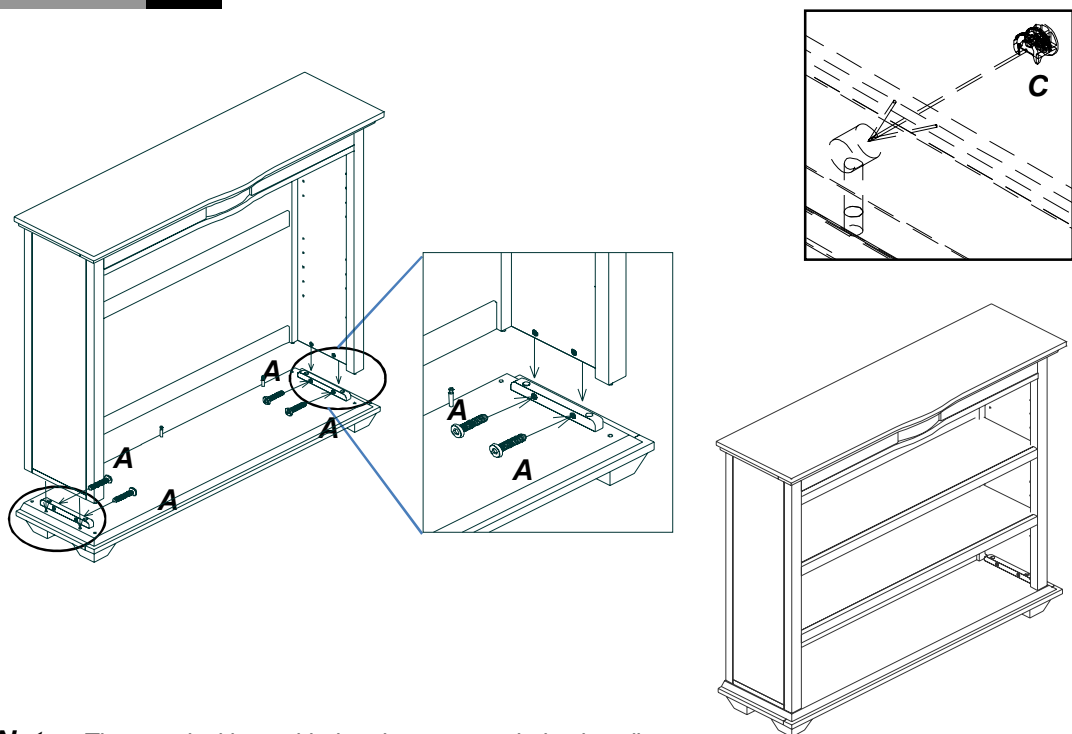
Hutch ^{Step} **8** **Secure Shelves to Shelf Pins**



Bookcase **Step 1** Conversion to Bookcase



Bookcase **Step 2** Attach Hutch to Base and Secure Hutch to Base



Note: Tip restraint kit provided and recommended to install once it is decided where the bookcase will be positioned in the

Bookcase



CARE AND MAINTENANCE

When cleaning your furniture, please use a non-toxic, non-abrasive cleaner. Mix a solution of water with a small amount of mild dishwashing liquid. Apply to furniture surface with a soft, damp cloth lightly dampened in solution. After cleaning, dry completely with a soft, dry cloth.