



**Pali Design, Inc.**

1525 Hymus Boul.

Dorval, QC

H9P-1J5 Canada

Phone: 1-514-421-0309

customerservice@pali-design.com

www.pali-design.com

# Assembly Instructions

## Arezzo Hutch

### Hardware List:

<b>A</b> KD Screw (30 mm) 8x 	<b>B</b> KD Screw (35 mm) 4x 	<b>C</b> Cam Lock Bolt 4x 
<b>D</b> Cam Lock Nut 4x 	<b>E</b> Washer 4x 	<b>F</b> Spring Washer 12x 
<b>G</b> Back Panel Screw (16 mm) 28x 	<b>H</b> Screw attach to Double Dresser (16 mm) 2x 	<b>I</b> Allen Key 1x 
<b>Tools Needed for Assembly:</b> 		<b>Adult assembly is required.</b>

### INSTRUCTION LEAFLET

*Important, keep for future reference. Read carefully.*

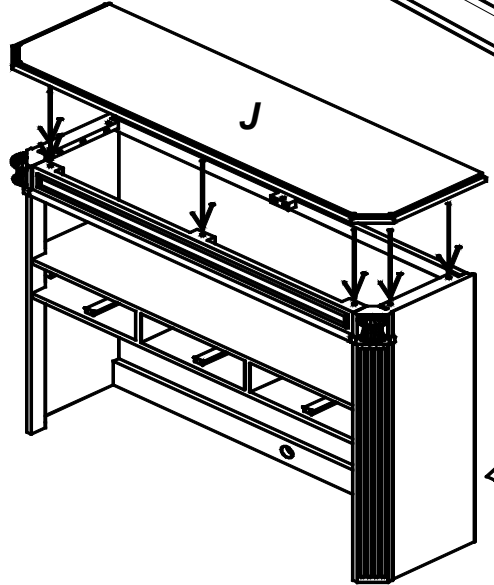
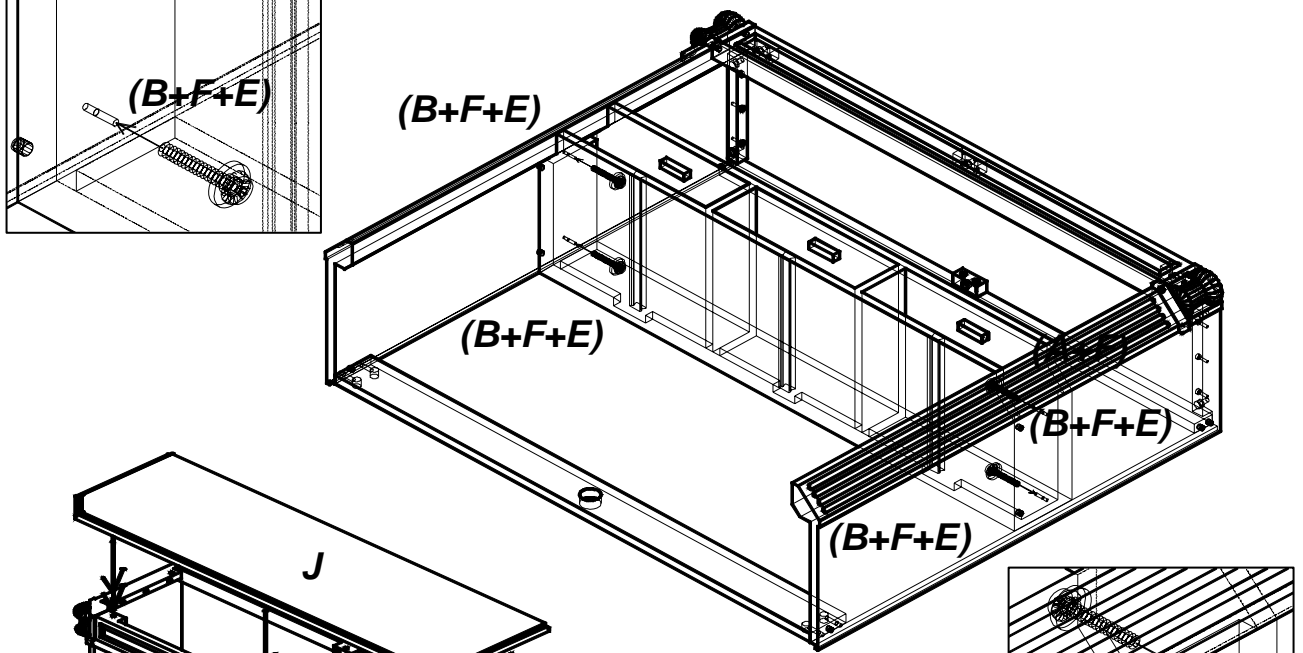
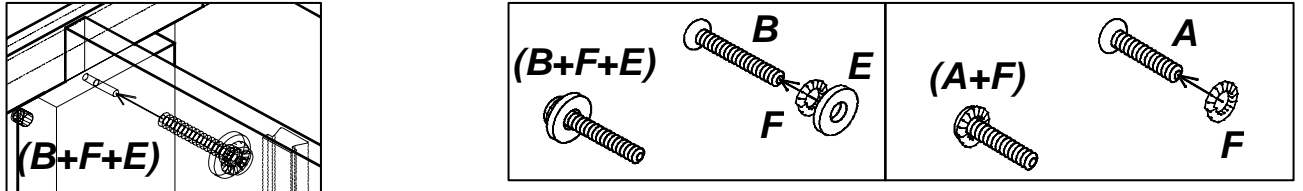
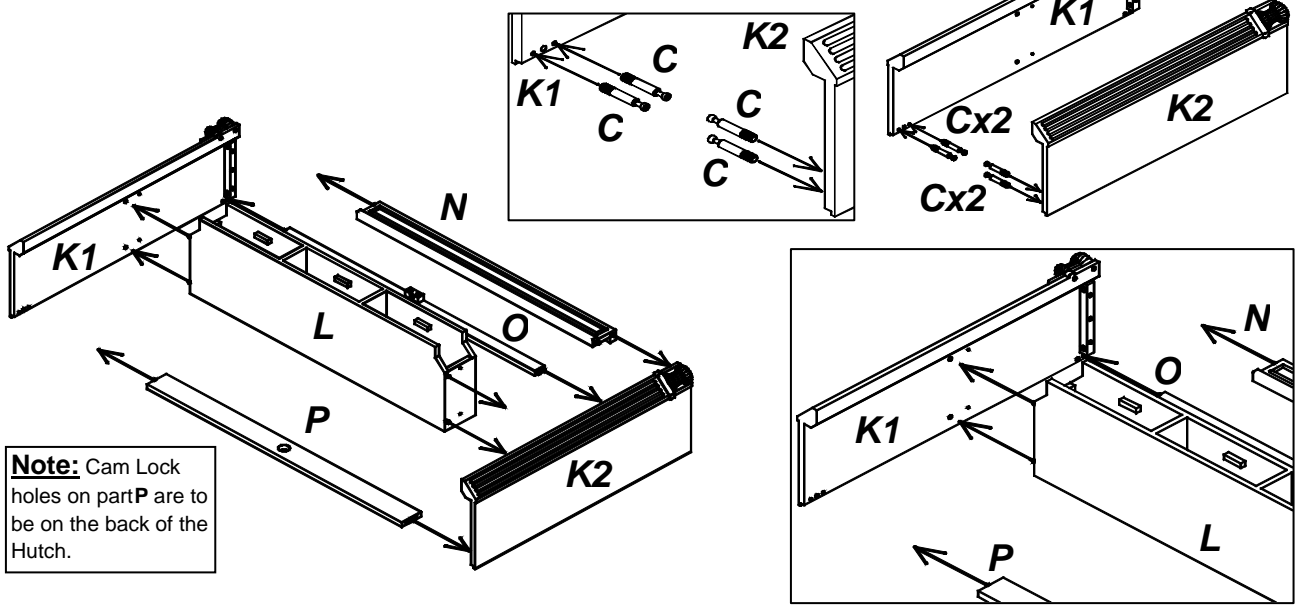
### Hutch Parts List:

**IMPORTANT:** In order to properly assemble the furniture, carry out the operations in the order specified. Failure to assemble the furniture in the manner recommended could make the furniture hazardous. Carefully remove and lay out all parts. Familiarize yourself with all diagrams to facilitate the assembly of your furniture. Check parts enclosed in hardware bag with the **HARDWARE PARTS LIST** to be sure all are included and quantities are correct.

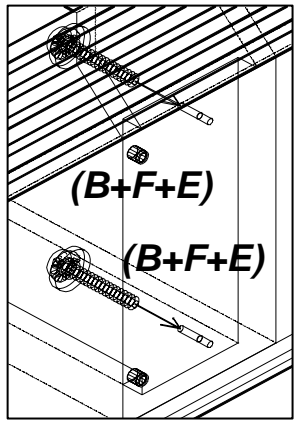
<b>J</b> Top 1x 	<b>K1+K2</b> Left and Right Side Panel 2x 	<b>L</b> Drawer Frame Assembly 1x 
<b>M</b> Drawer 1x 	<b>N</b> Upper Front Support 1x 	<b>O</b> Upper Back Support 1x 
<b>P</b> Lower Back Support 1x 	<b>Q</b> Back Panel 2x 	<b>R</b> Knob 3x 
		<b>S</b> Knob's Screw (25 mm) 3x 

**Hutch** Step **1**

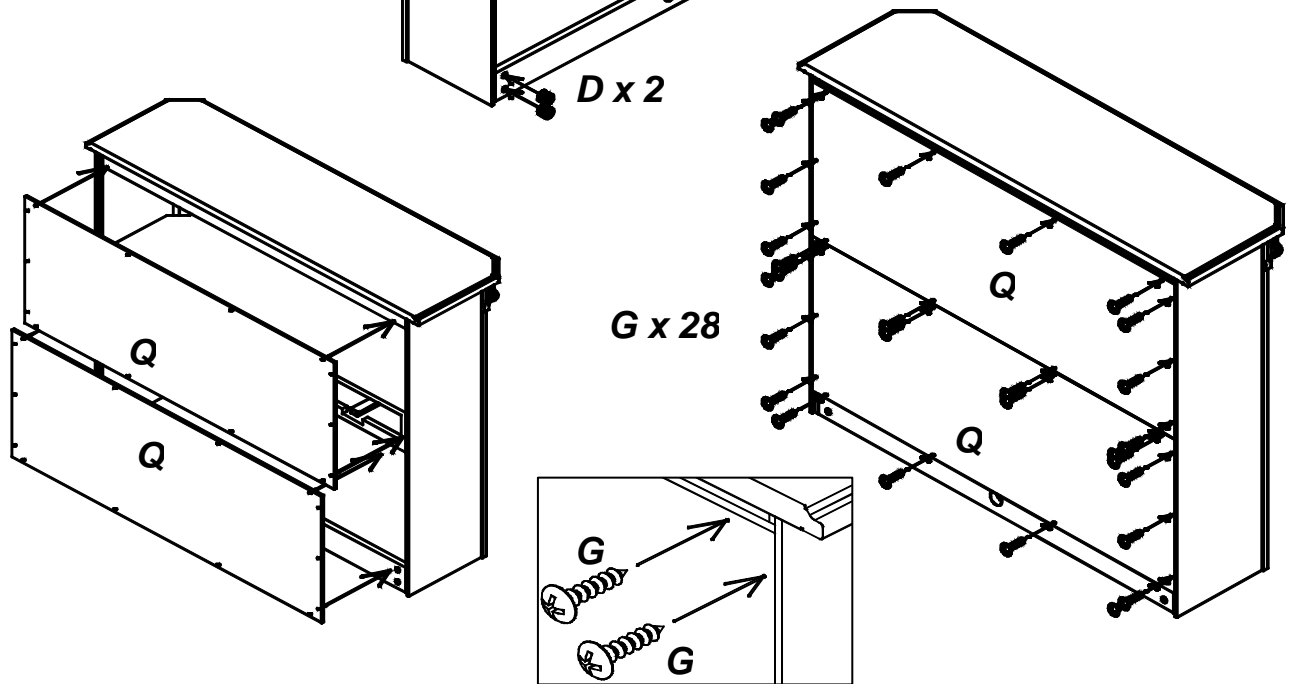
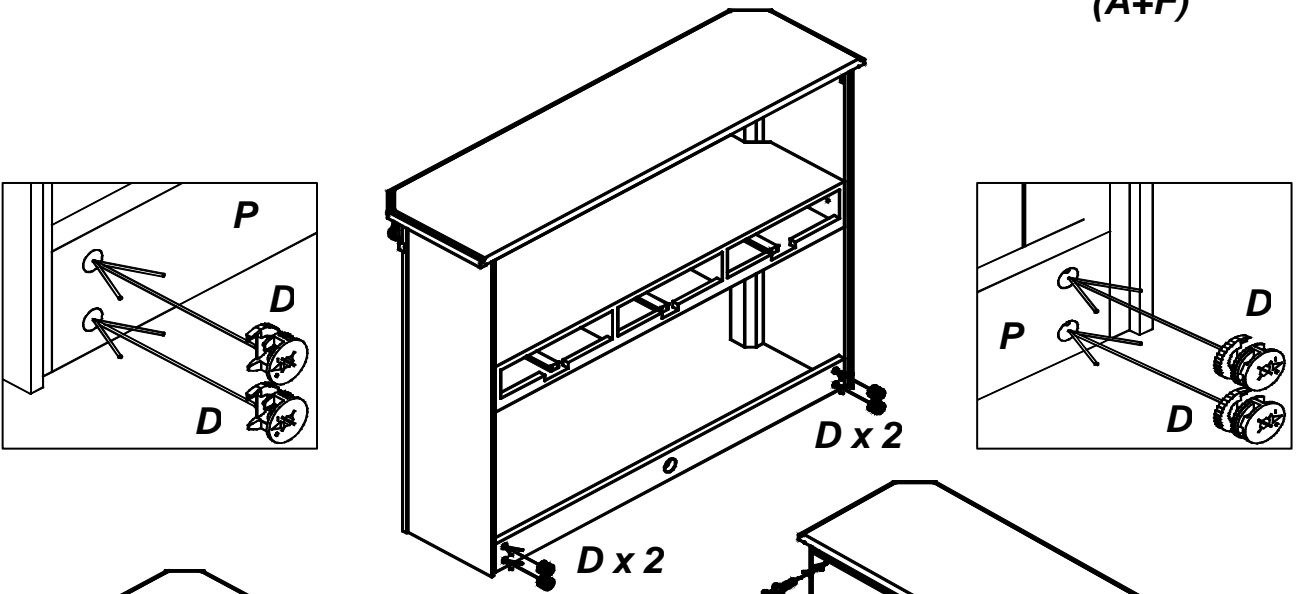
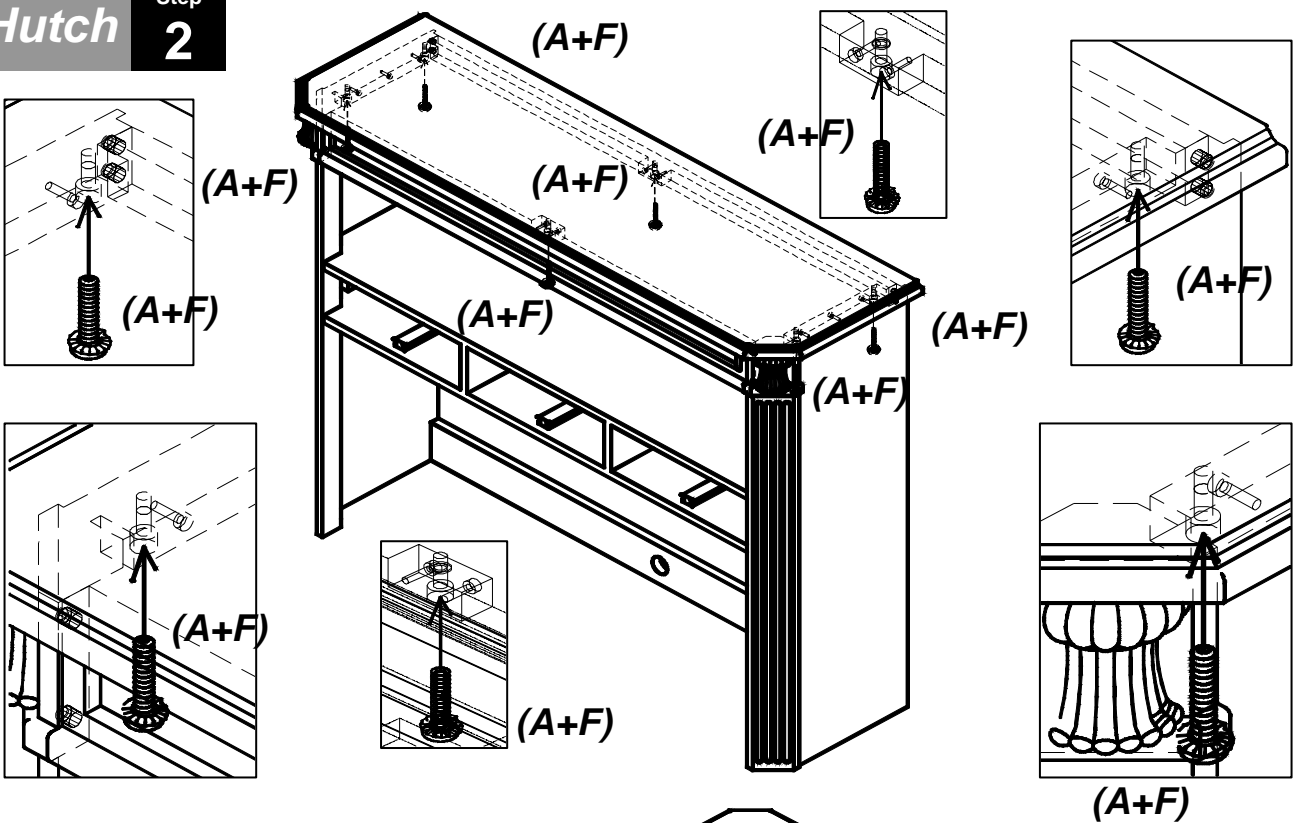
**Assembling Hutch**



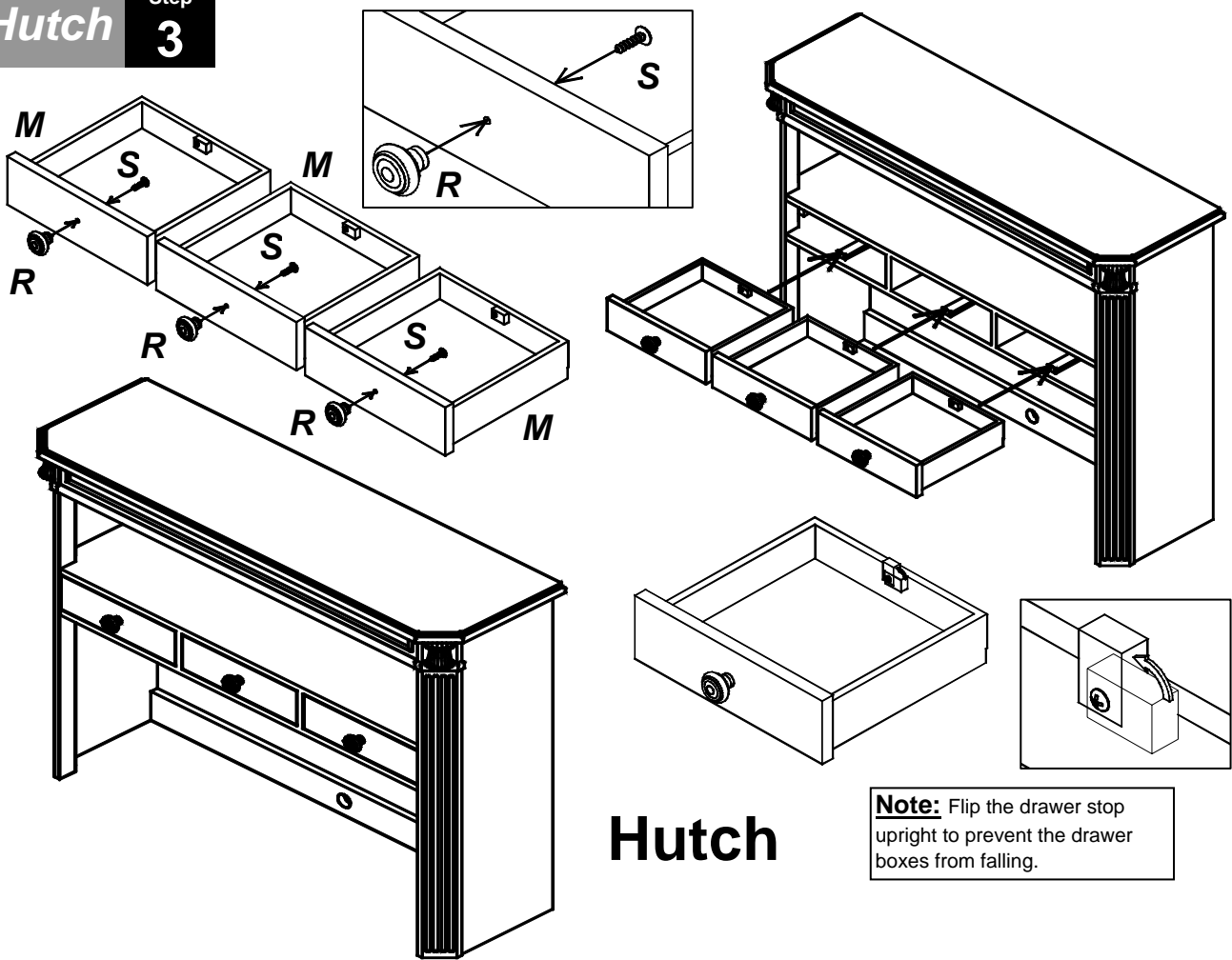
**Note:** Flip the Hutch to it's upright position before attaching Top (J).



**Hutch** Step **2**



**Hutch** Step **3**

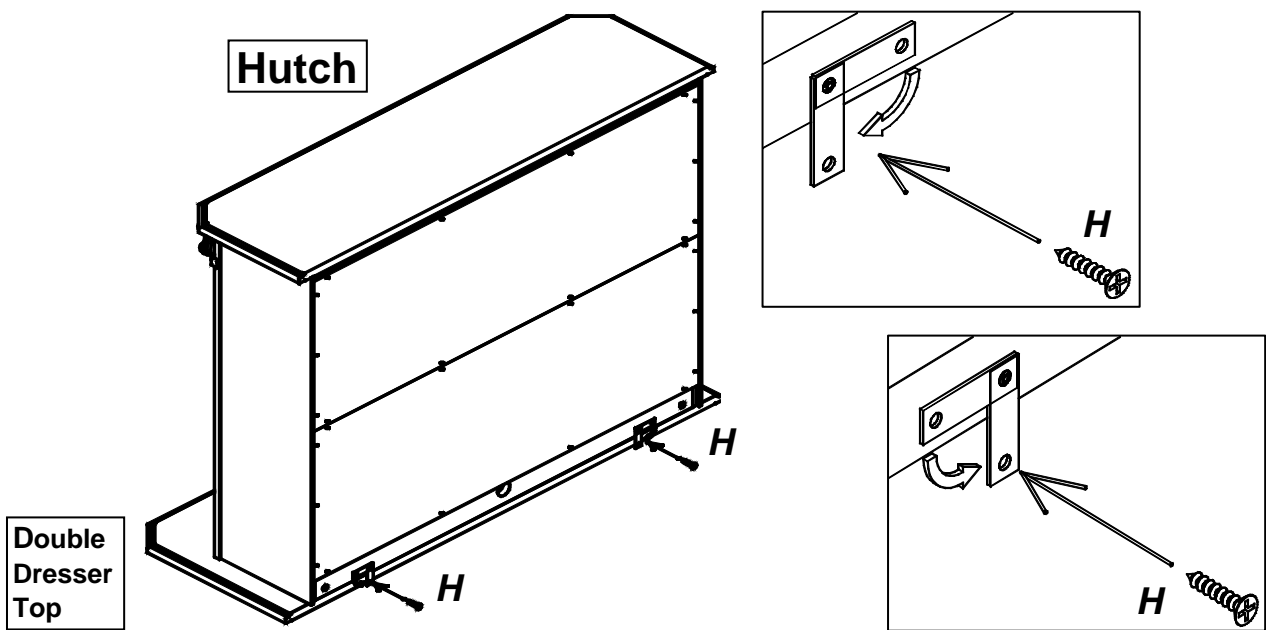


**Hutch**

**Note:** Flip the drawer stop upright to prevent the drawer boxes from falling.

**Hutch** Step **4**

**Attaching Hutch on Double Dresser**



**CARE AND MAINTENANCE**



When cleaning your furniture, please use a non-toxic, non-abrasive cleaner. Mix a solution of water with a small amount of mild dishwashing liquid. Apply to furniture surface with a soft, damp cloth lightly dampened in solution. After cleaning, dry completely with a soft, dry cloth.