



**Pali Design, Inc.**

1525 Hymus Boul.

Dorval, QC

H9P-1 J5 Canada



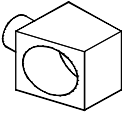
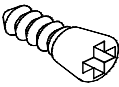

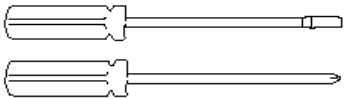
Phone: 1-514-421-0309

customerservice@pali-design.com

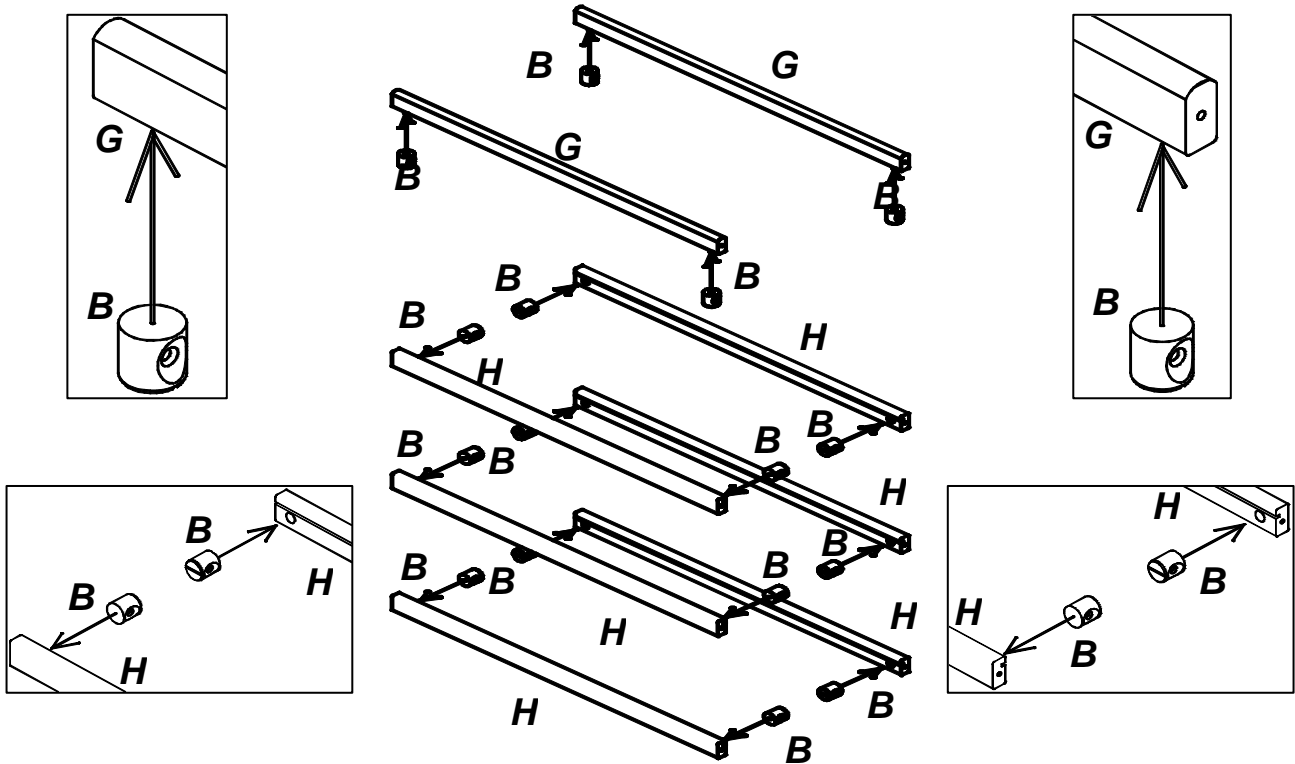
www.pali-design.com

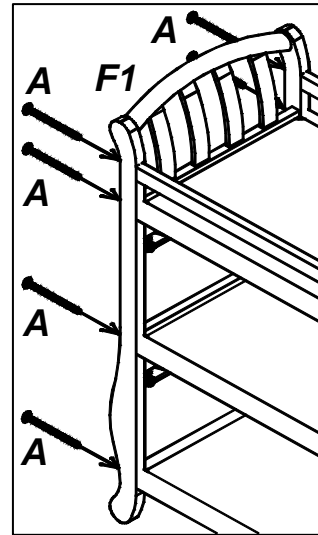
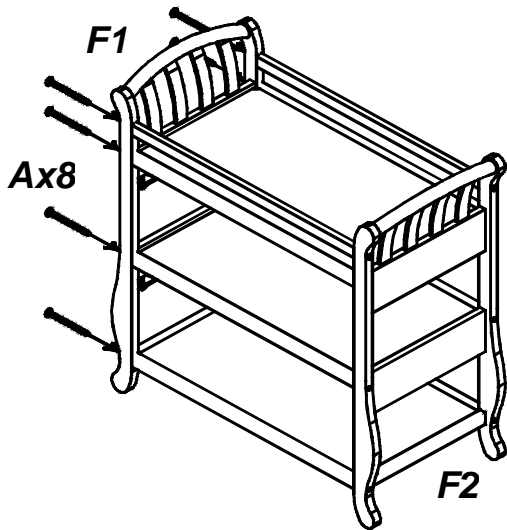
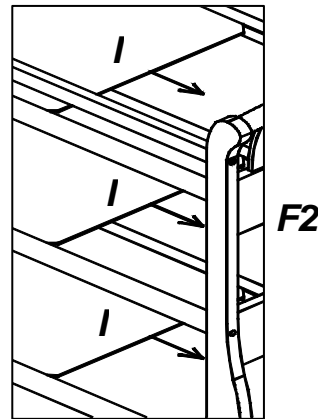
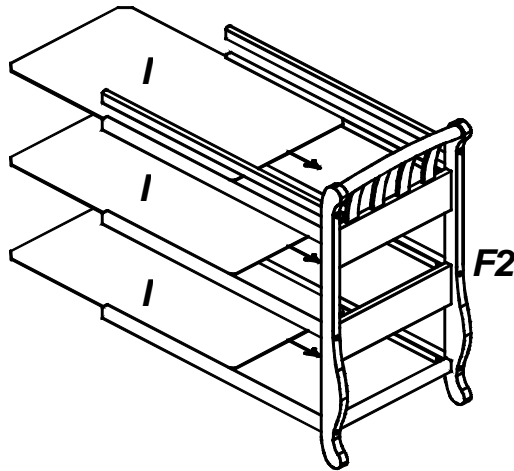
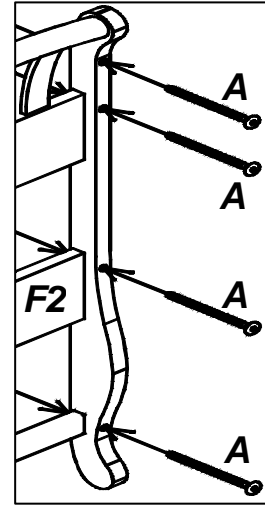
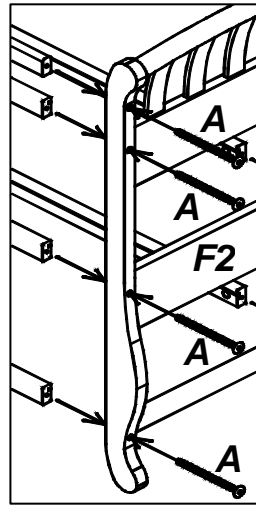
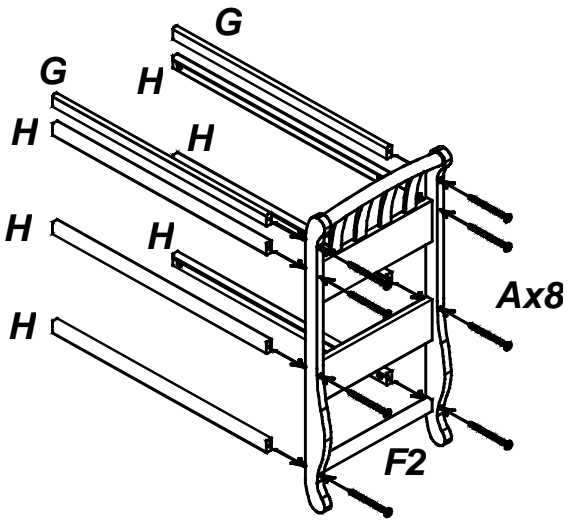
# Assembly Instructions

## Amy Dressing Table

Hardware List:		Parts List:	
<b>A</b> Allenhead Screw (75mm.) 16x 		<b>2x</b>	Side Panel (F1+F2)
<b>B</b> KD-Nut 16x 	<b>C</b> Mini Block 8x 	<b>2x</b>	Top Rail (G)
<b>D</b> Connector Bolt 8x 	<b>D</b> Allen Wrench 8x 	<b>6x</b>	Rail (H)
		<b>3x</b>	Shelf (I)
		<b>2x</b>	Drawer Front (J)
		<b>4x</b>	Drawer Side (L1+L2)
		<b>2x</b>	Drawer Back (M)
		<b>2x</b>	Drawer Bottom (N)
<b>Tools Needed for Assembly:</b> 		<b>INSTRUCTION LEAFLET</b> <i>Important, keep for future reference. Read carefully.</i>	
<i>Adult assembly is required.</i>			

**Dressing Table** **Step 1** **Assembling Dressing Table**

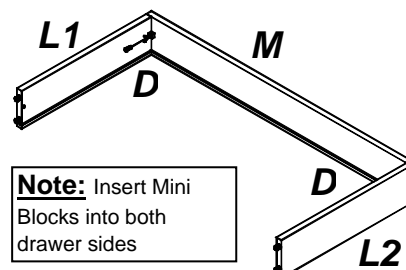
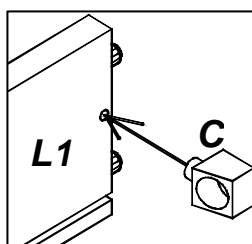
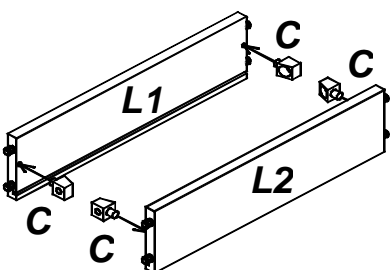




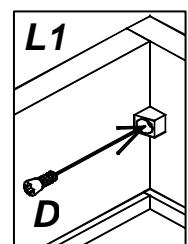
Dressing  
Table

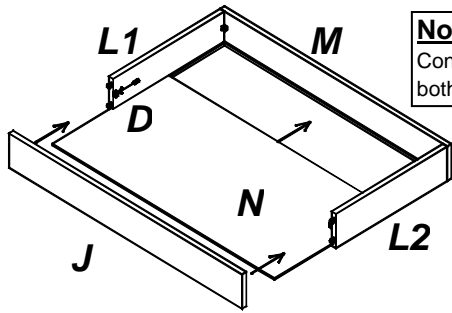
Step  
**2**

## Assembling Drawer Box



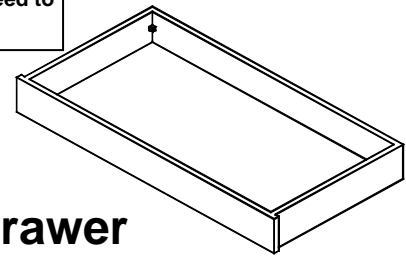
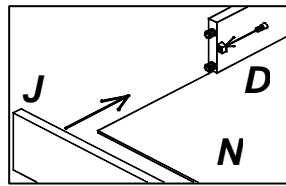
**Note:** Insert Mini Blocks into both drawer sides





**Note:** Insert Connector Bolts into both drawer sides

**Note:** 2 drawers need to be assembled.

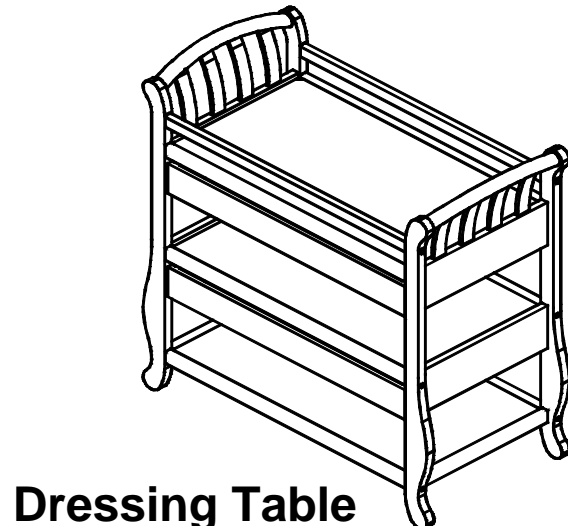
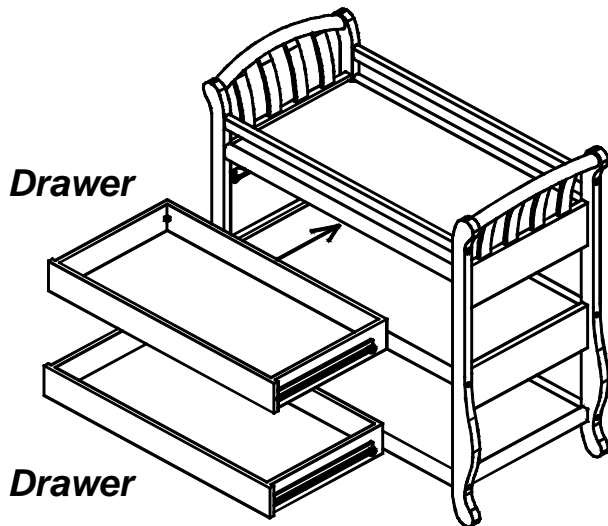


**Drawer**

*Dressing Table*

**Step 3**

### Assembling Drawer to Dressing Table



## WARNING STATEMENTS

- Read all instructions before assembling crib. **Keep instructions for future use.**
- Failure to follow these warnings and the assembly instructions could result in serious injury or death.
- Do not use this dressing table or galley rail if it is damaged or broken.
- When child reaches a maximum weight of 30 lbs. (13.6 kg), the dressing table or galley rail shall no longer be used.



## CARE AND MAINTENANCE

- When cleaning your dressing table or galley rail, please use a non-toxic, non-abrasive cleaner. Mix a solution of water with a small amount of mild dishwashing liquid. Apply to dressing table or galley rail surface with a soft, damp cloth lightly dampened in solution. After cleaning, dry completely with a soft, dry cloth.
- When storing dressing table or galley rail use caution as extreme changes in temperature or humidity can compromise the dressing table or galley rail making it extremely dangerous to your child.