



Pali Design, Inc.

1525 Hymus Boul.
Dorval, QC
H9P-1 J5 Canada
Phone: 1-514-421-0309

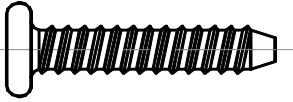

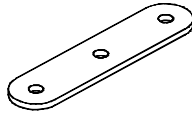

customerservice@pali-design.com

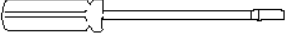

www.pali-design.com

Assembly Instructions

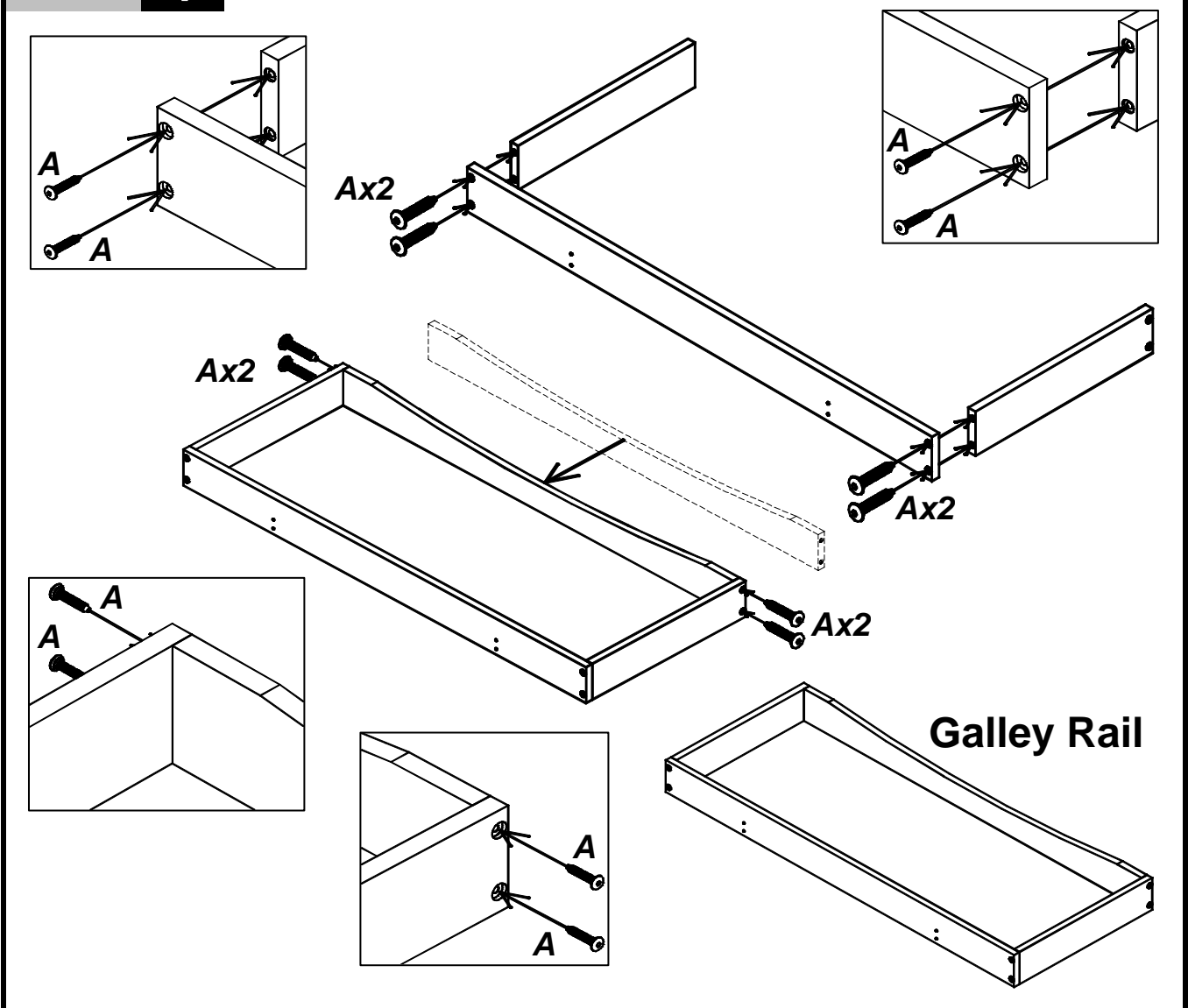
Salerno Galley Rail

Hardware List

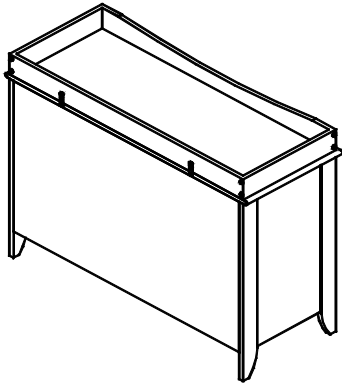
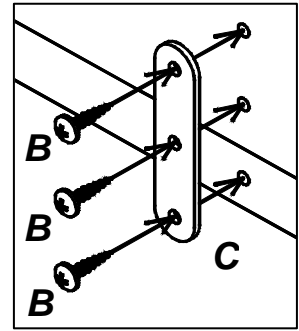
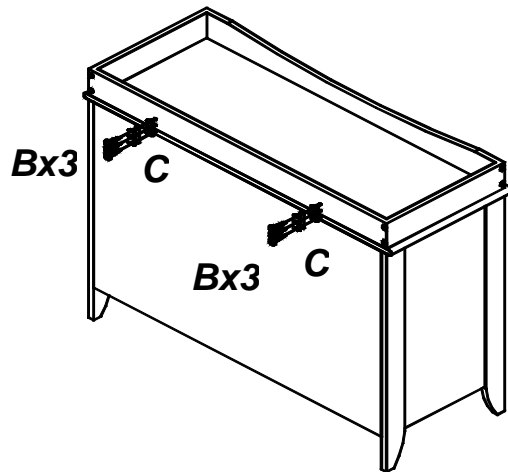
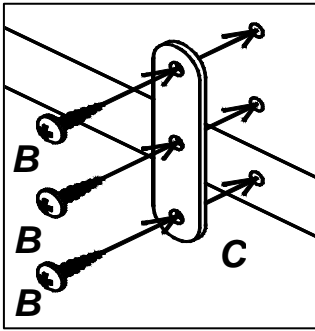
A Flat Allenhead Bolt (30 mm)  8x	B Metal Screw (16 mm)  6x	C Metal Plate  2x	D Allen Wrench  1x
--	--	---	---

Tools Needed for Assembly:  	INSTRUCTION LEAFLET <i>Important, keep for future reference. Read carefully.</i>	Adult assembly is required.
---	--	------------------------------------

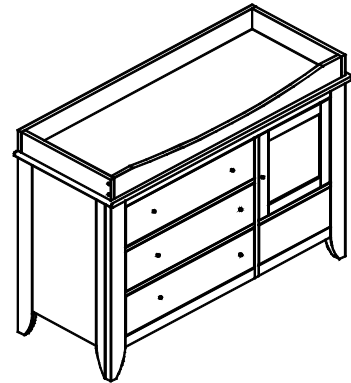
Galley Rail **Step 1** Assembling Galley Rail



Attaching Galley Rail to a Case Top



Galley Rail



WARNING STATEMENTS

- Read all instructions before assembling galley rail. **Keep instructions for future use.**
- Failure to follow these warnings and the assembly instructions could result in serious injury or death.
- Do not use this galley rail if it is damaged or broken.
- When child reaches a maximum weight of 30 lbs. (13.6 kg), the galley rail shall no longer be used.
- It is recommended that that a changing table pad with maximum dimensions of 34" (87 cm) length x 18" (46 cm) width x 3 1/4" (8.25 cm) thickness be used with this galley rail.



CARE AND MAINTENANCE

- When cleaning your dressing table or galley rail, please use a non-toxic, non-abrasive cleaner. Mix a solution of water with a small amount of mild dishwashing liquid. Apply to dressing table or galley rail surface with a soft, damp cloth lightly dampened in solution. After cleaning, dry completely with a soft, dry cloth.
- When storing dressing table or galley rail use caution as extreme changes in temperature or humidity can compromise the dressing table or galley rail making it extremely dangerous to your child.